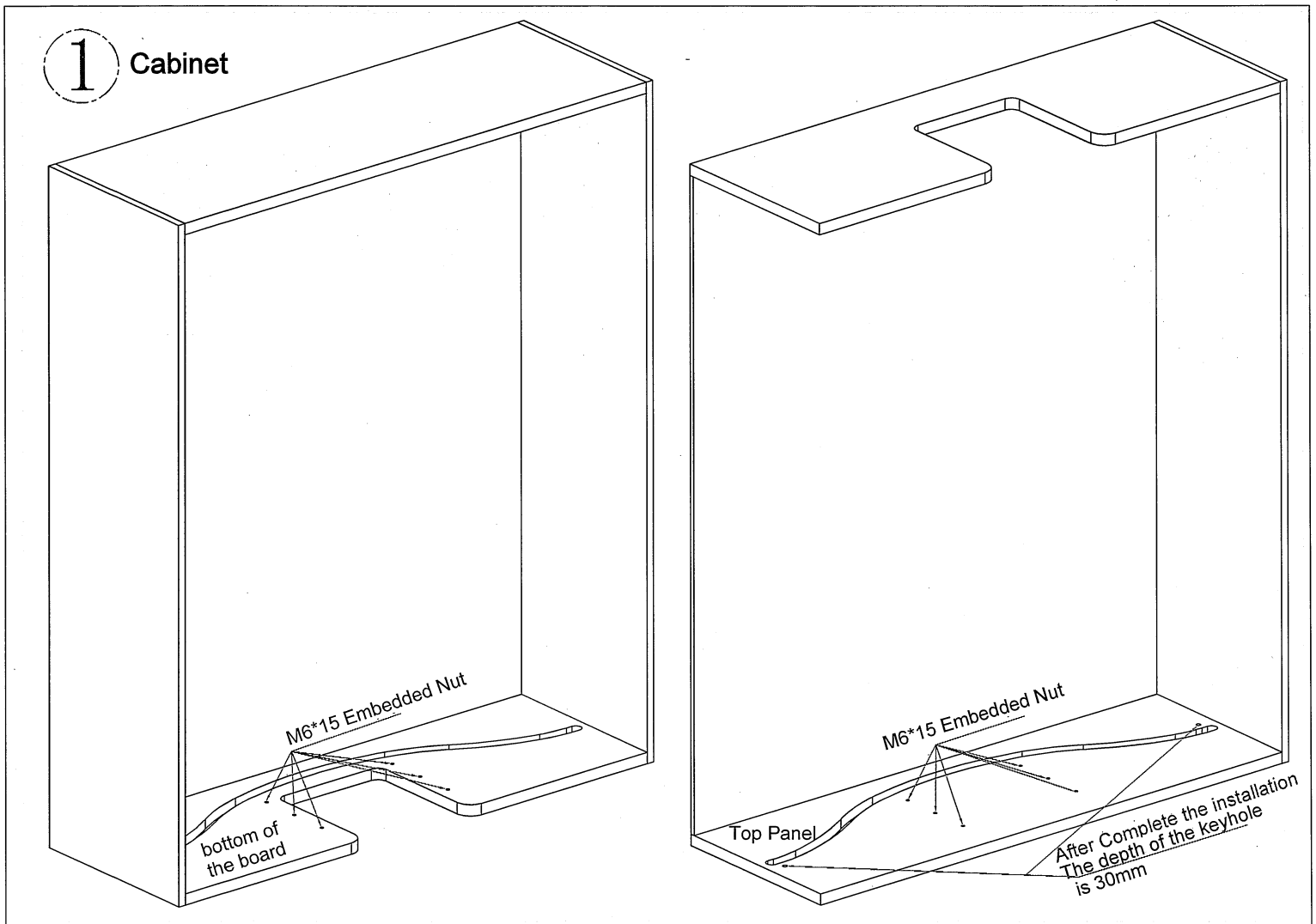


# XROTO39

## Rotating Wall Bed System



**Selby Furniture Hardware Co. Inc.**

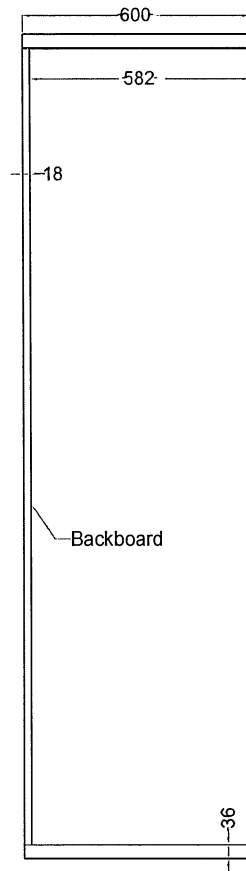
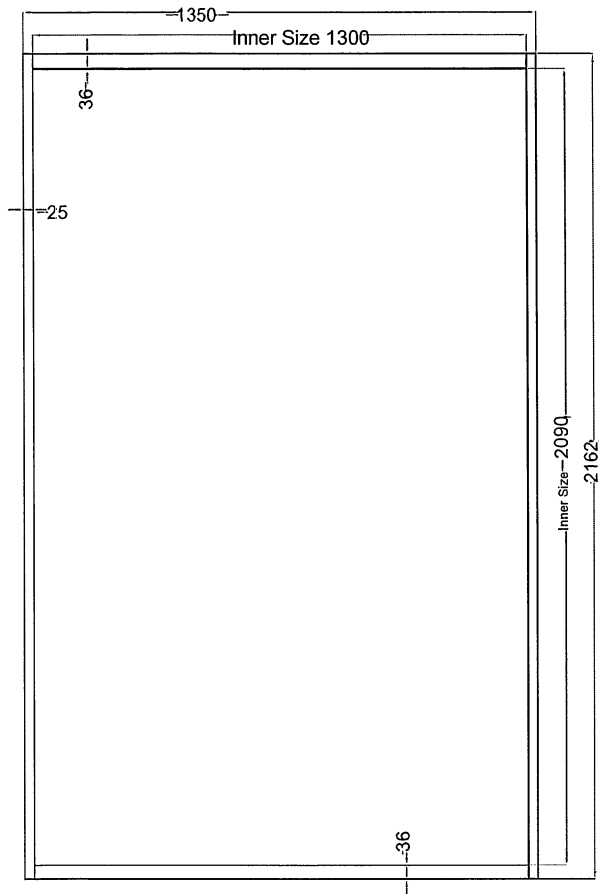
**321 Rider Ave.**

**Bronx, NY 10451**

**Tel: 1-718-993-3700**

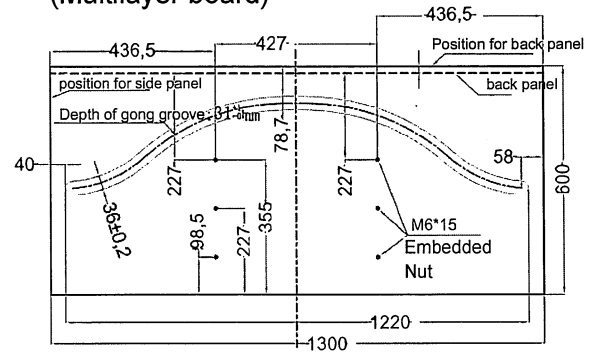
**e mail: [info@selbyhardware.com](mailto:info@selbyhardware.com)**

## 2 Outside the cabinet

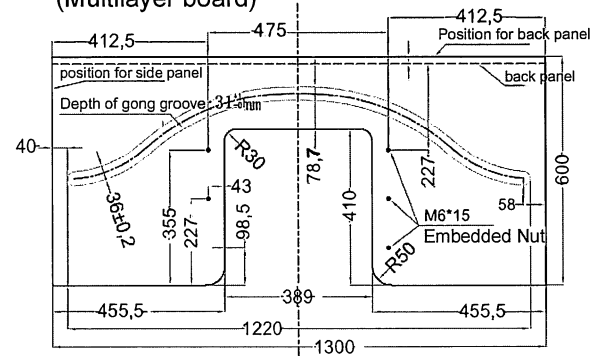


Note:  
Suggest using a carving machine for processing

### Top panel (Multilayer board)

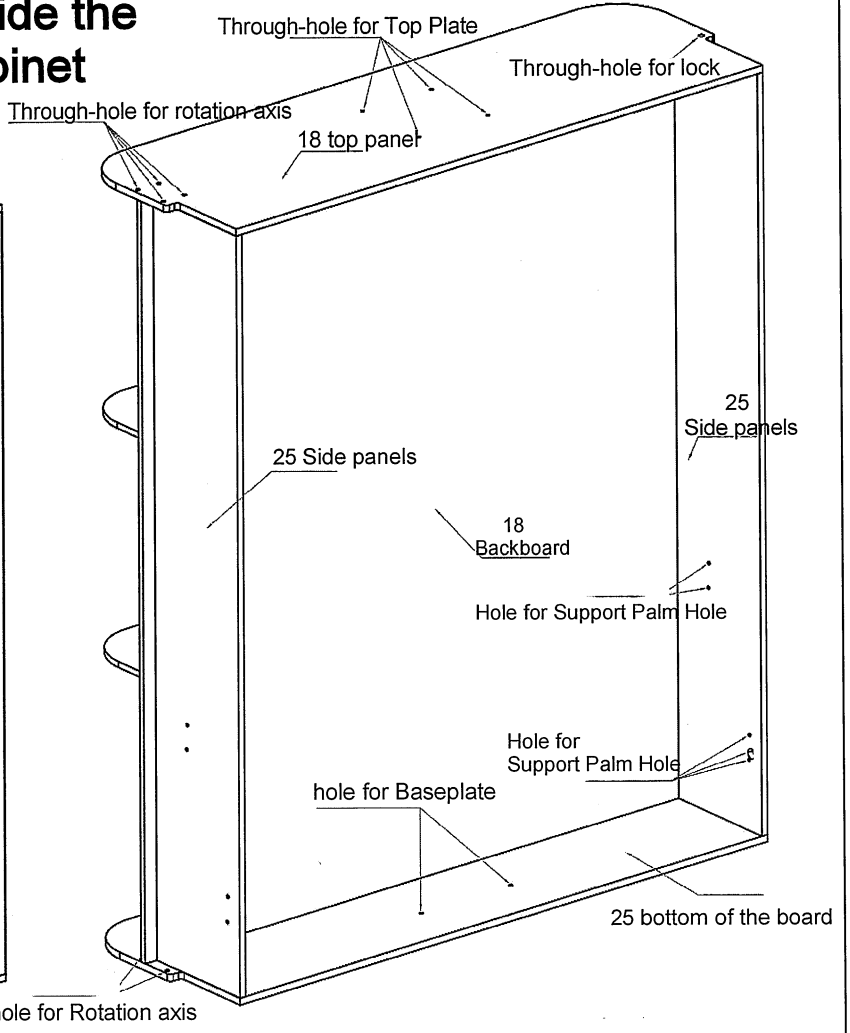
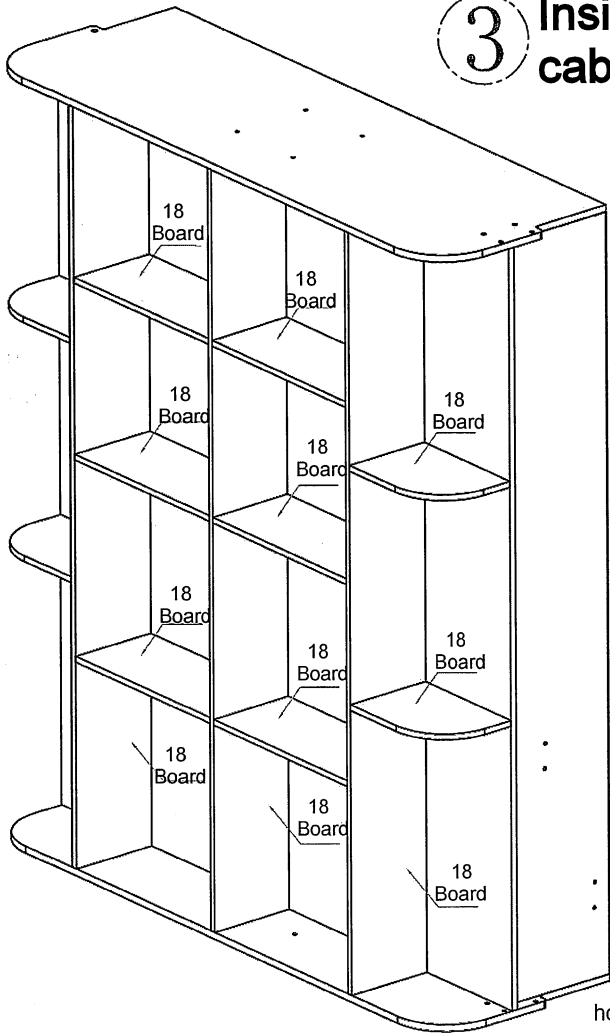


### Bottom of the board (Multilayer board)

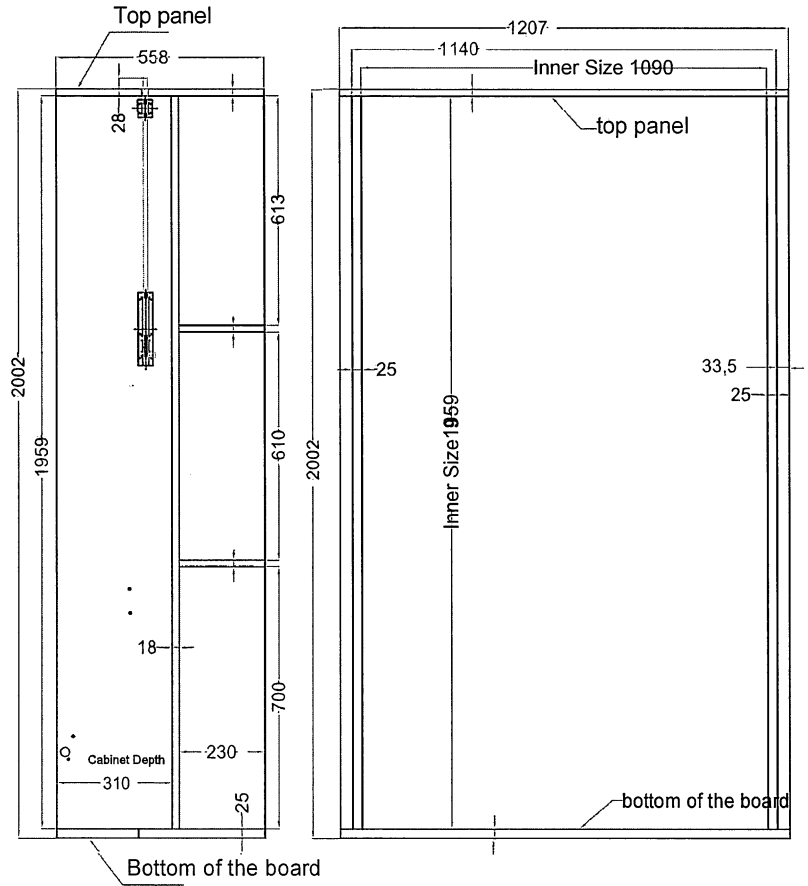
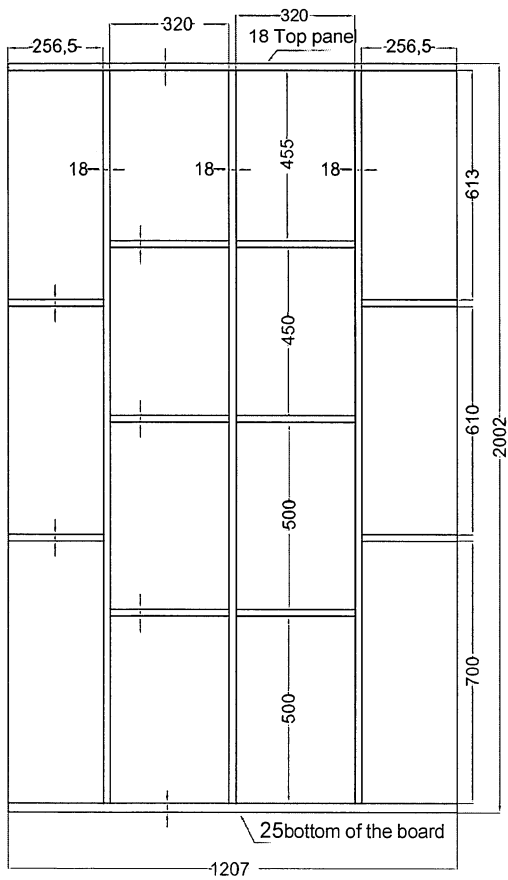


Matress Size: 990\*1905\*160MM, Weight: 22±1KG

### 3 Inside the cabinet

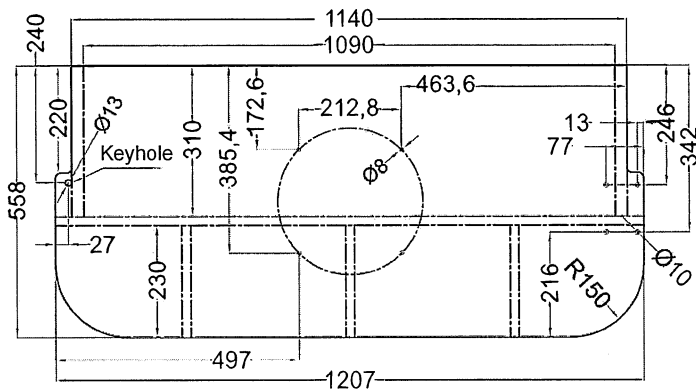


# ④ Inside the cabinet

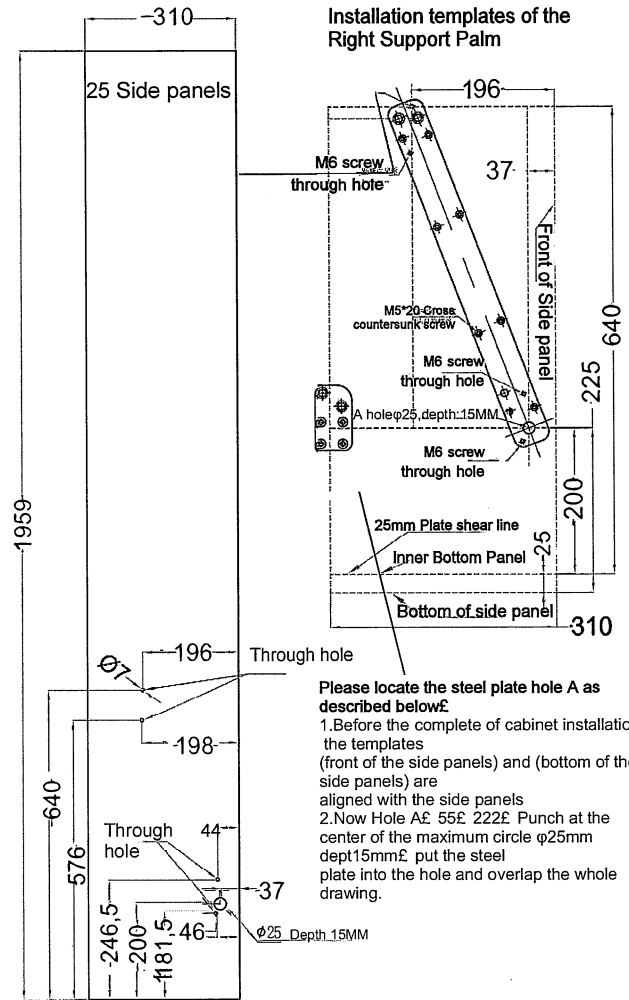
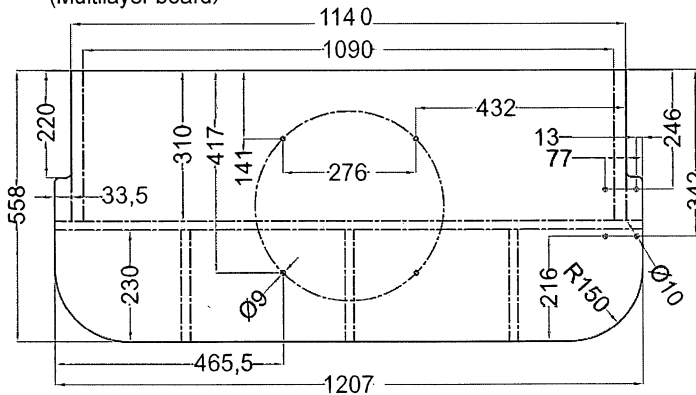


# 5 Inside the cabinet

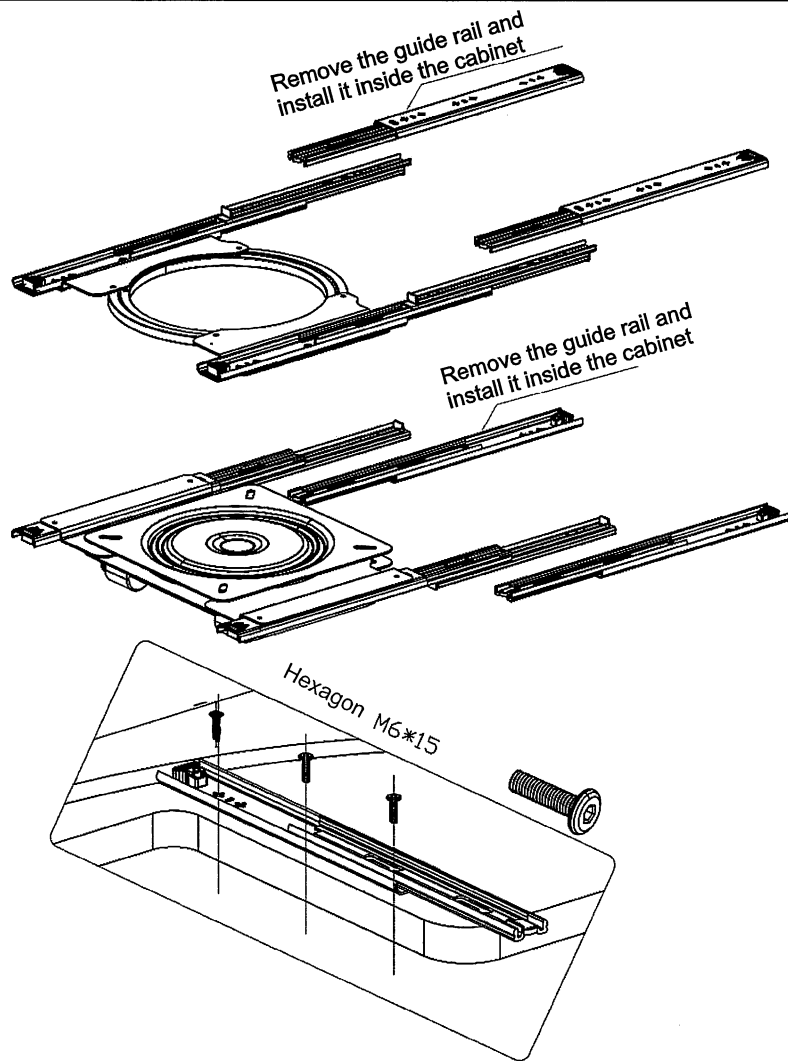
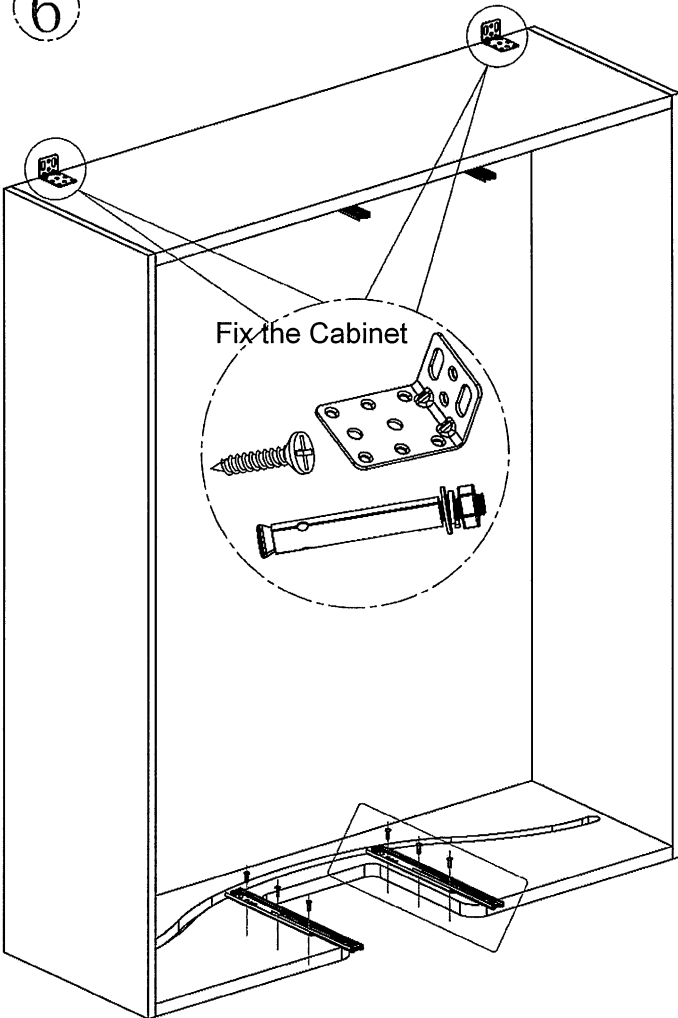
Top panel thickness 18mm



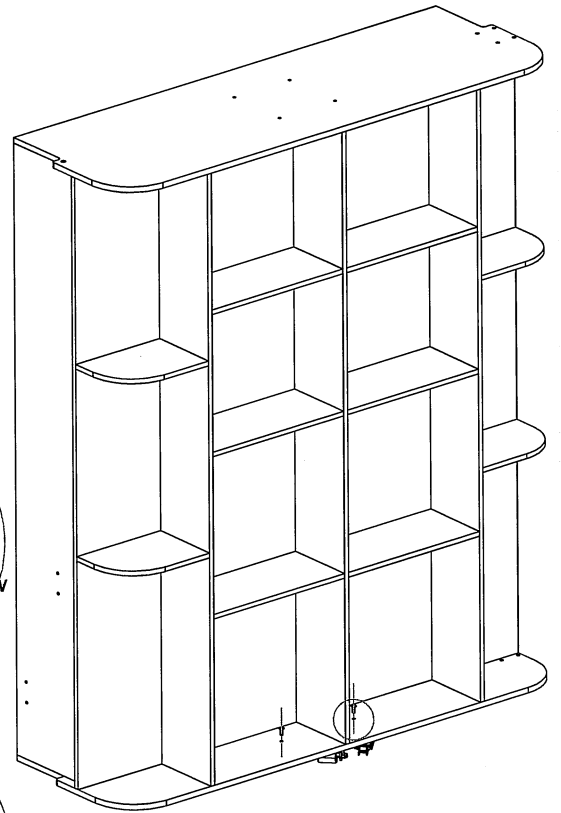
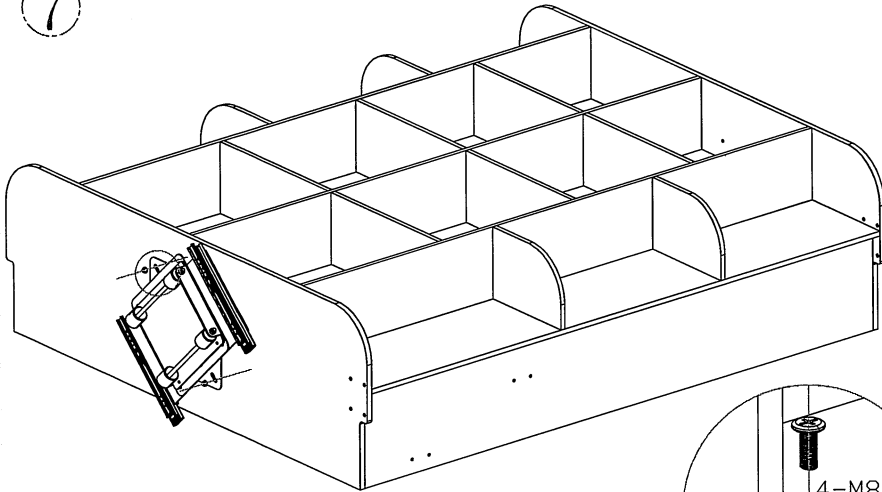
Bottom of the board thickness 25mm  
(Multilayer board)



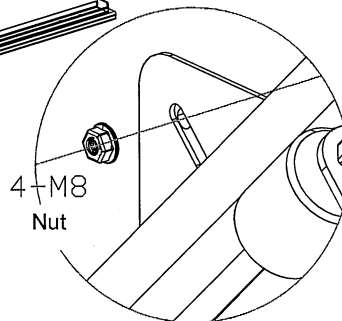
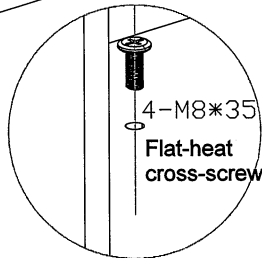
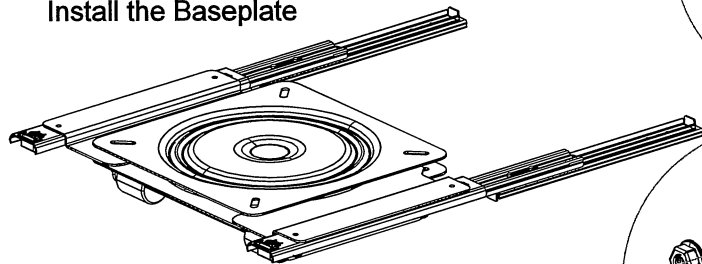
6



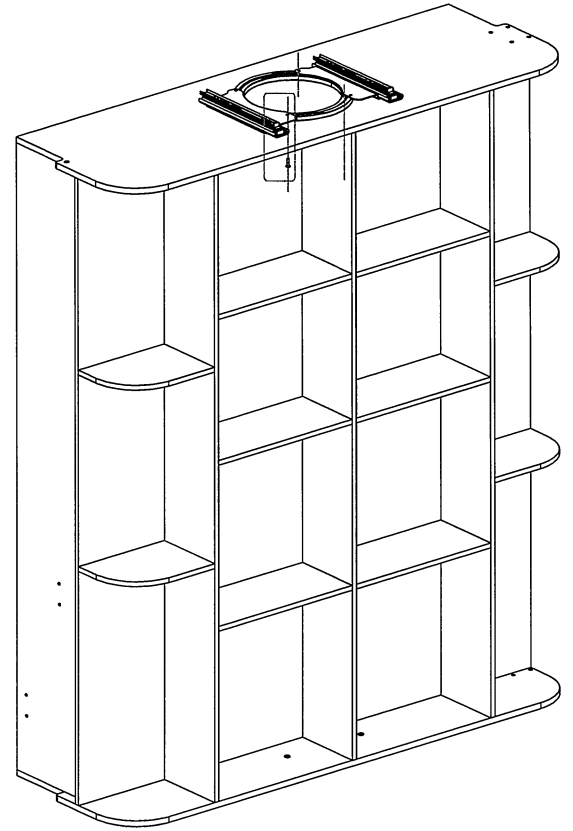
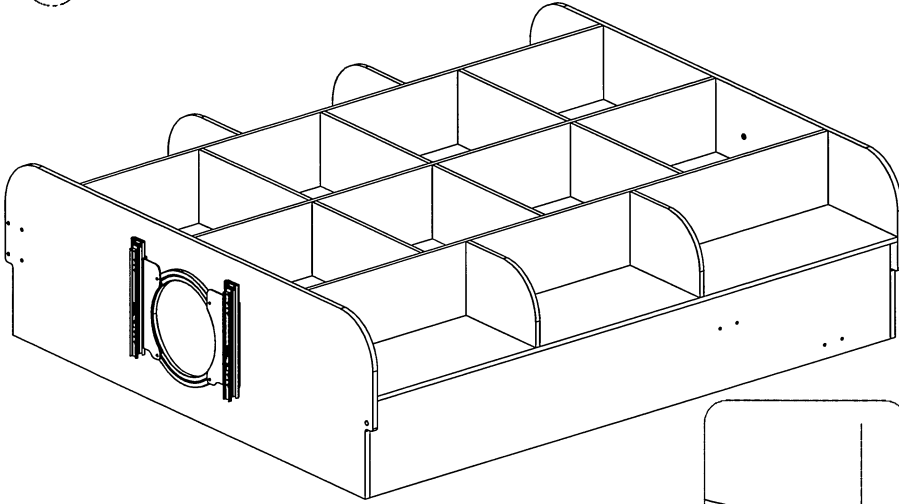
7



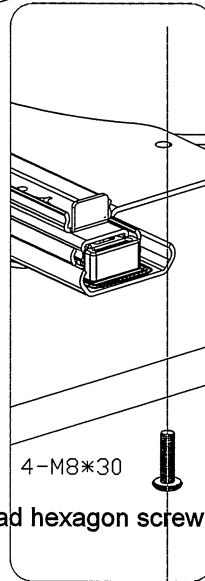
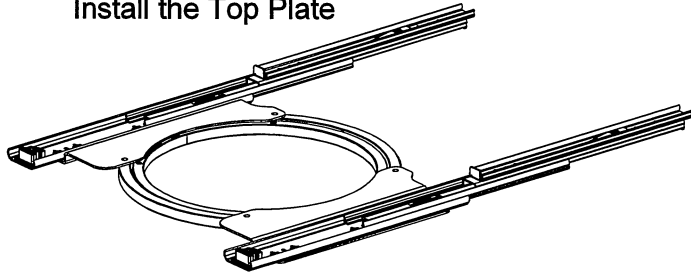
Install the Baseplate



8



Install the Top Plate

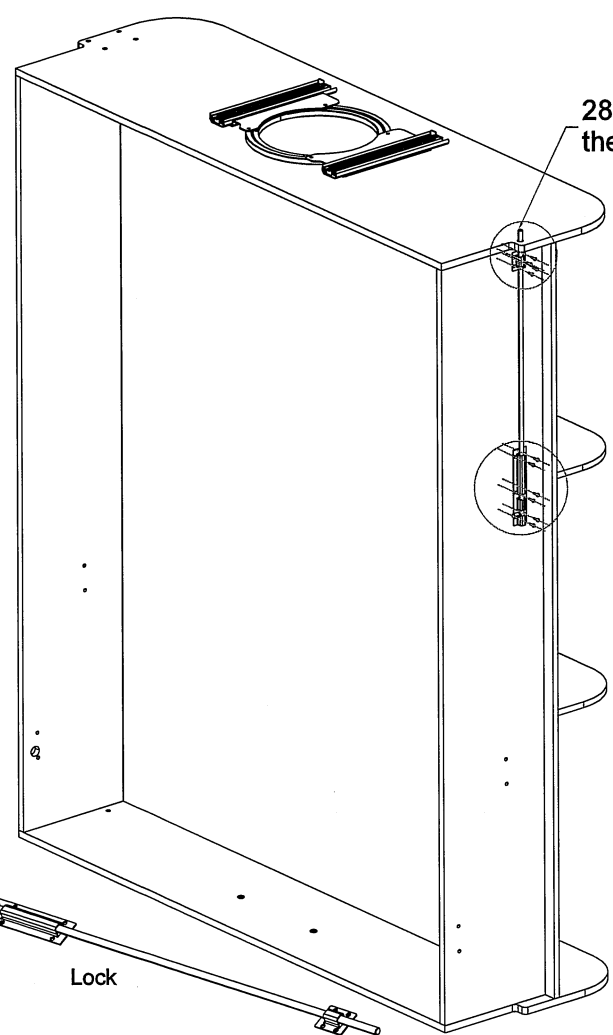


4-M8\*30

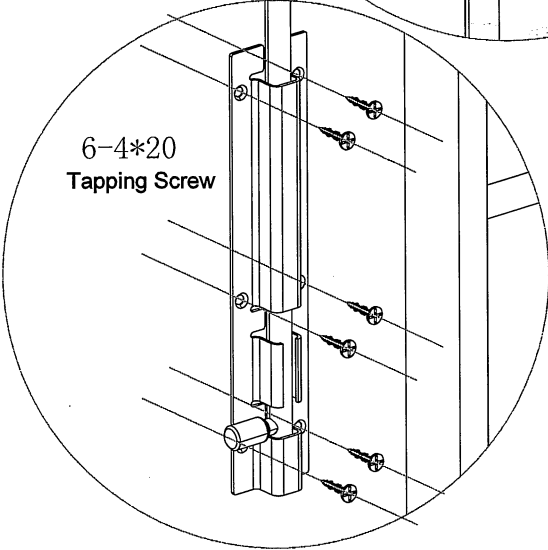
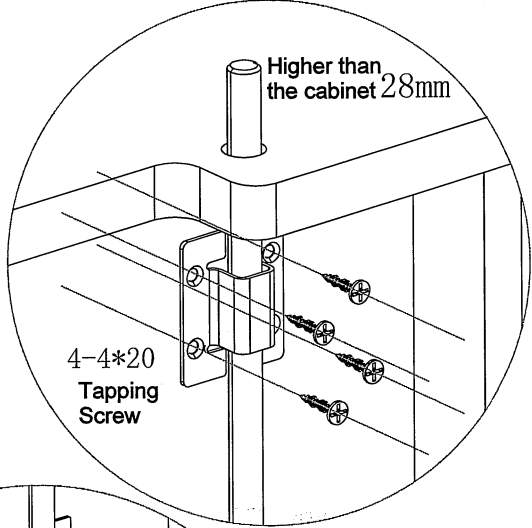
Flat-head hexagon screws



9

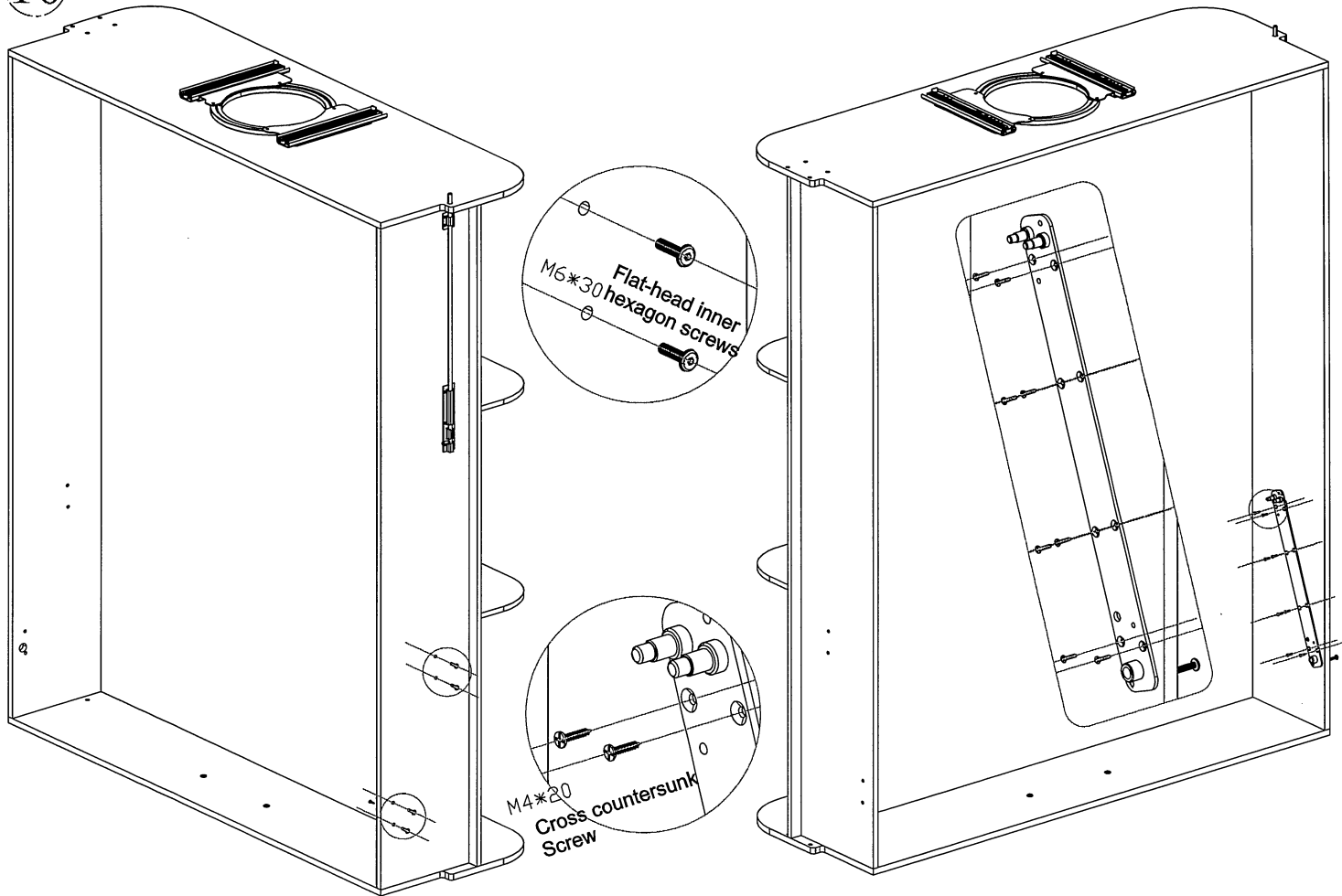


28mm higher than the cabinet

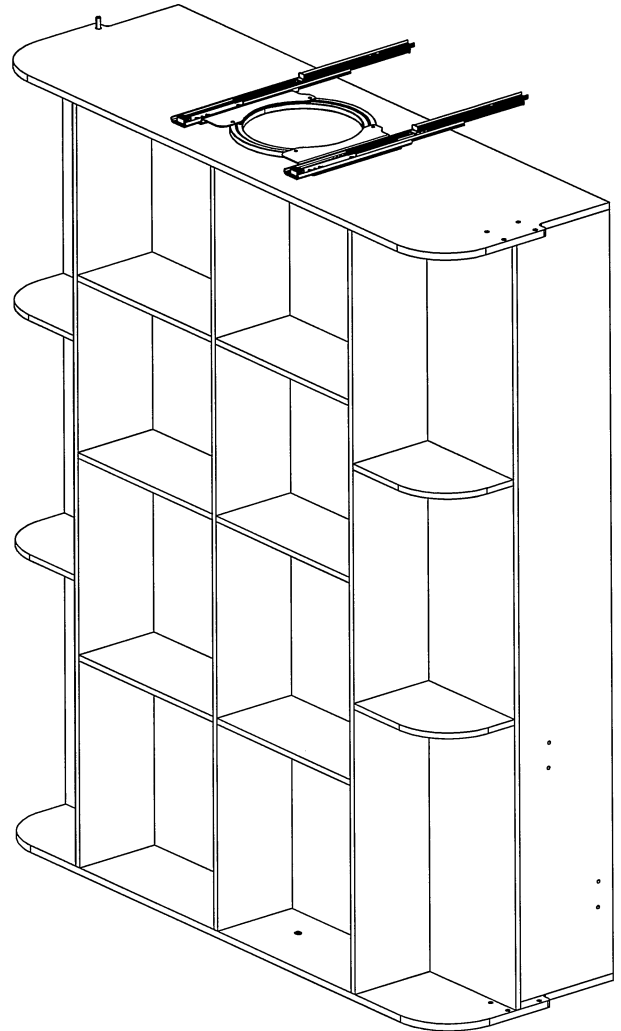
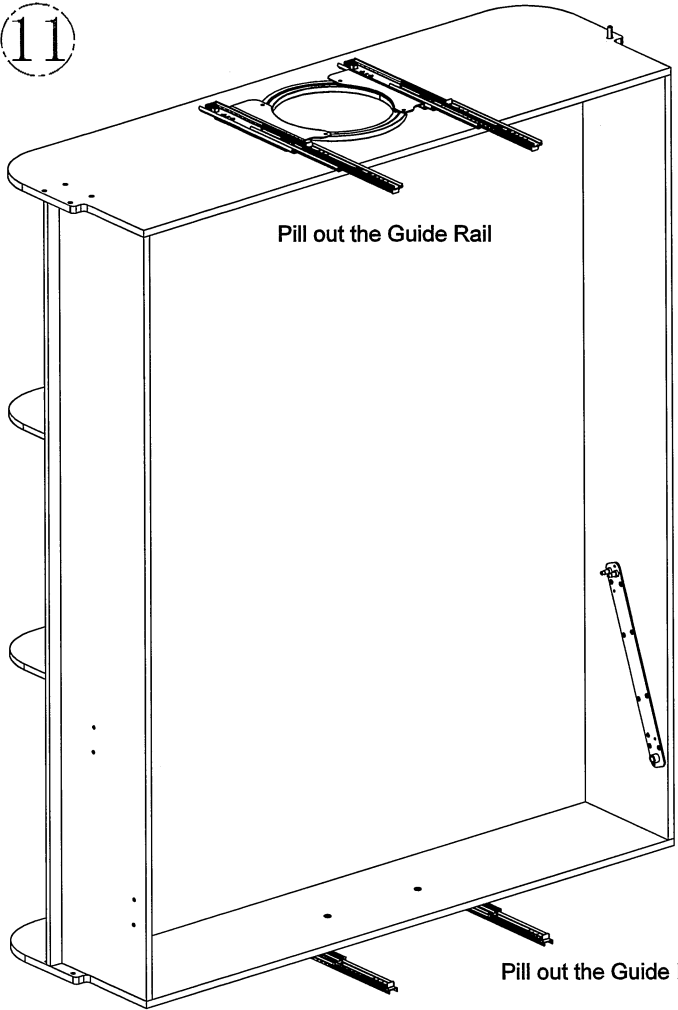


Lock

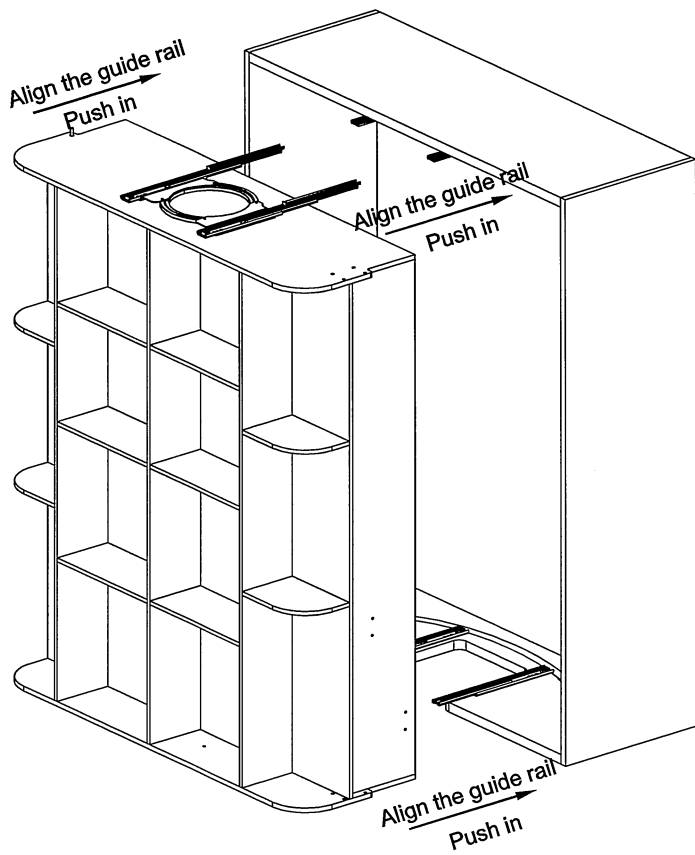
10



11

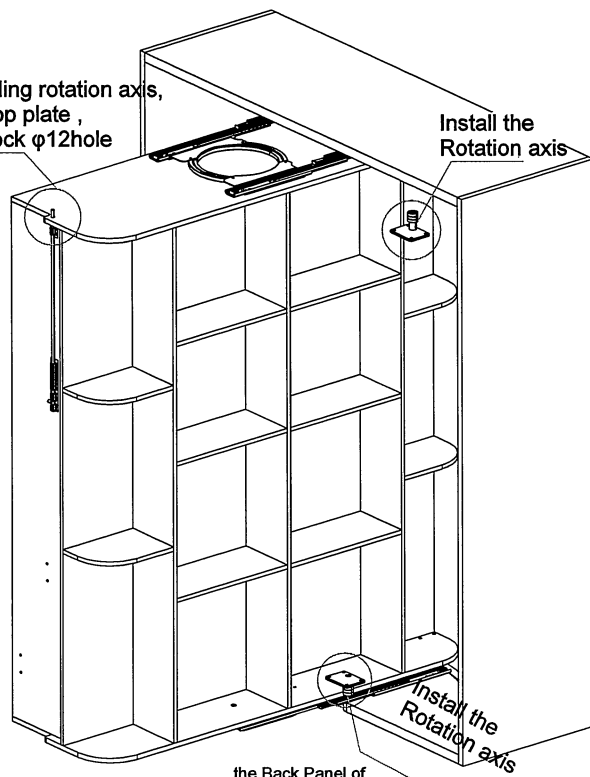


12

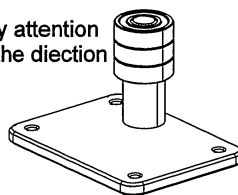


13

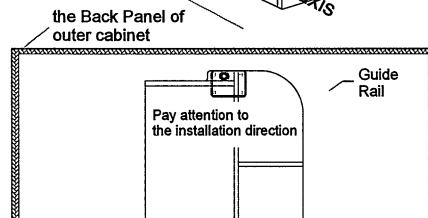
After installing rotation axis,  
Align the top plate ,  
open the lock  $\phi 12$ hole



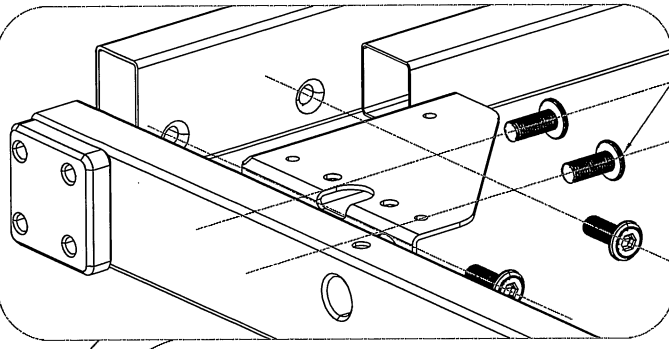
Pay attention  
to the diection



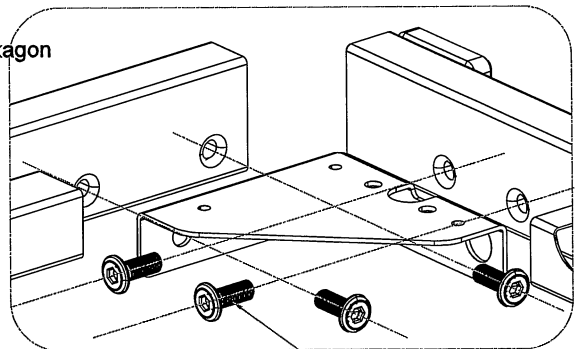
the side of bed frame



the side of storage cabinet

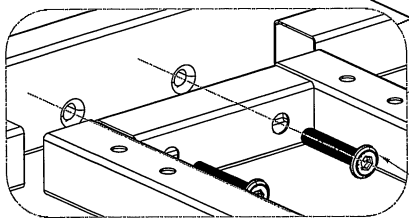
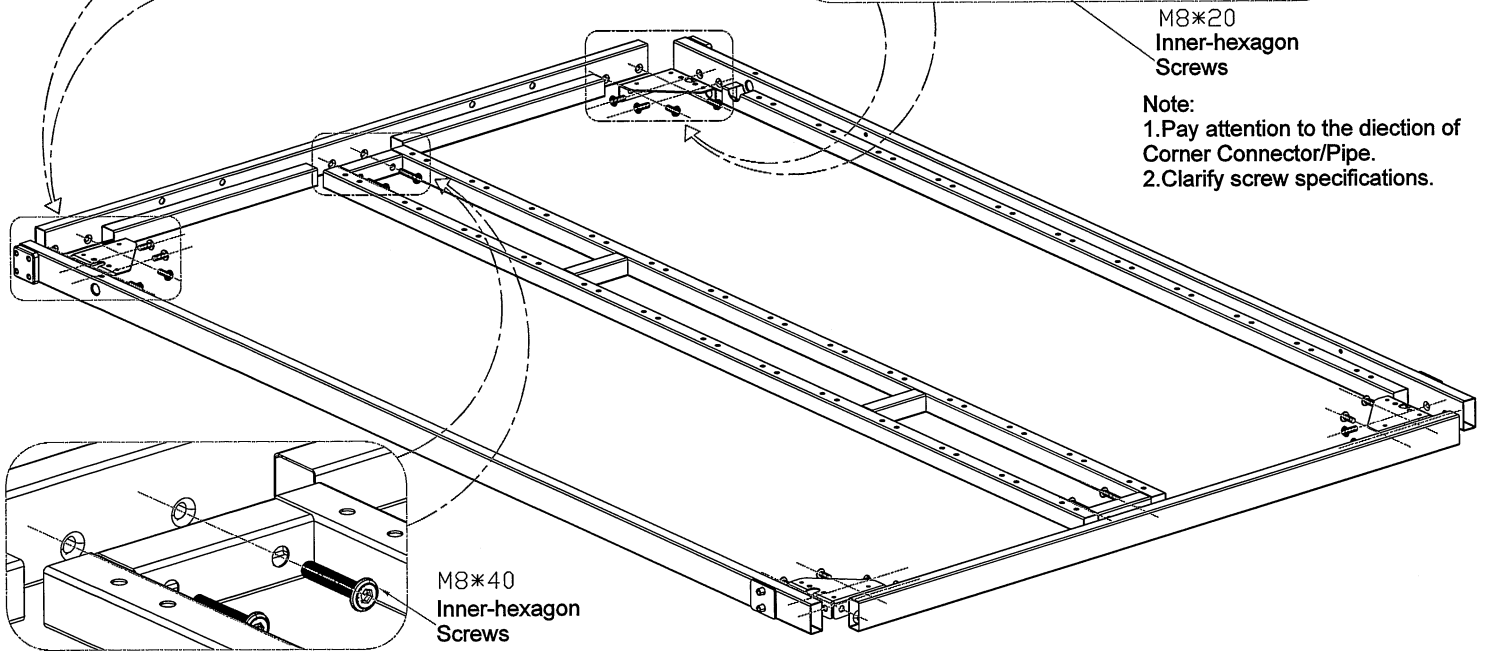


M8\*20  
Inner-hexagon  
Screws



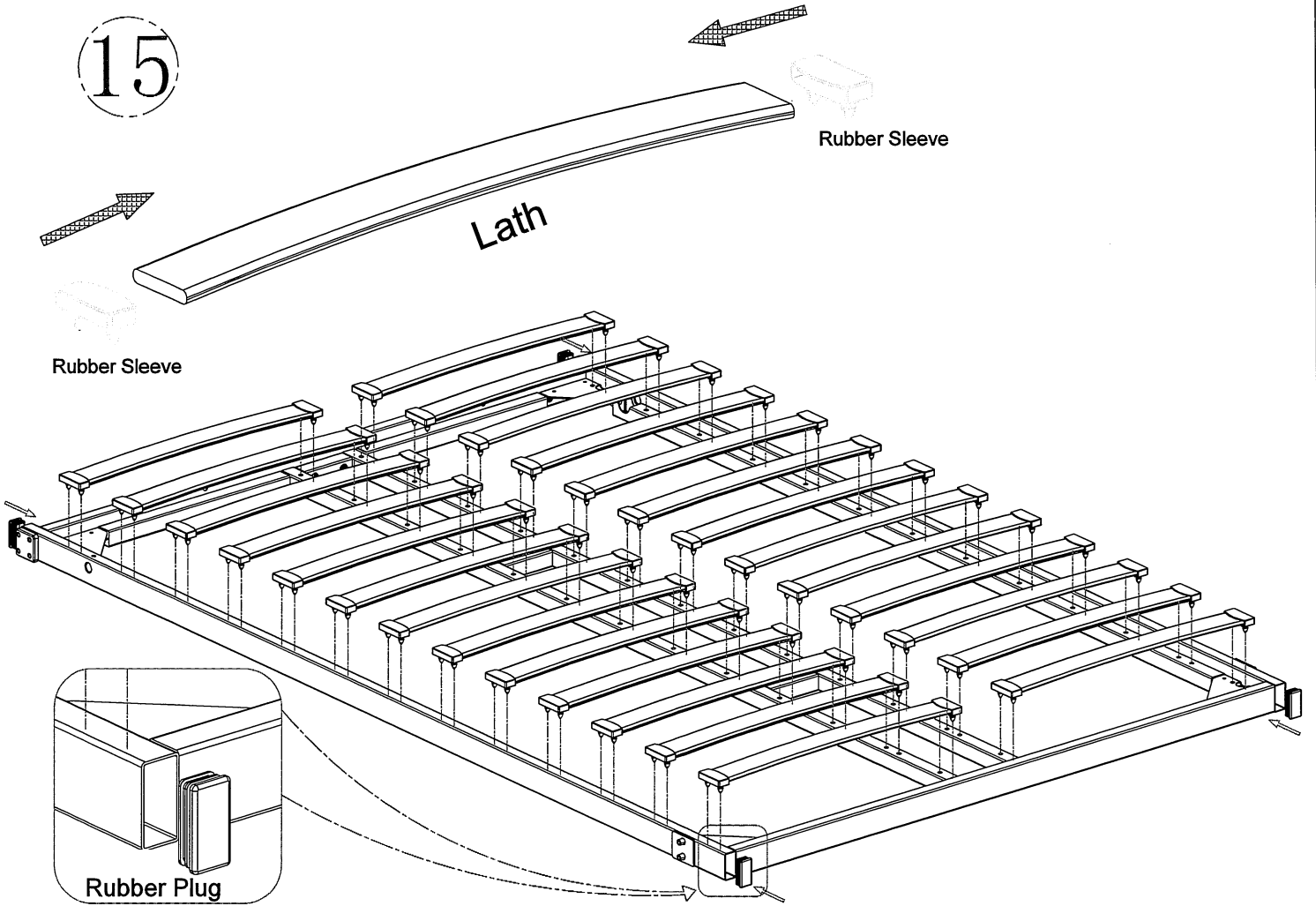
M8\*20  
Inner-hexagon  
Screws

Note:  
1. Pay attention to the direction of  
Corner Connector/Pipe.  
2. Clarify screw specifications.



M8\*40  
Inner-hexagon  
Screws

15

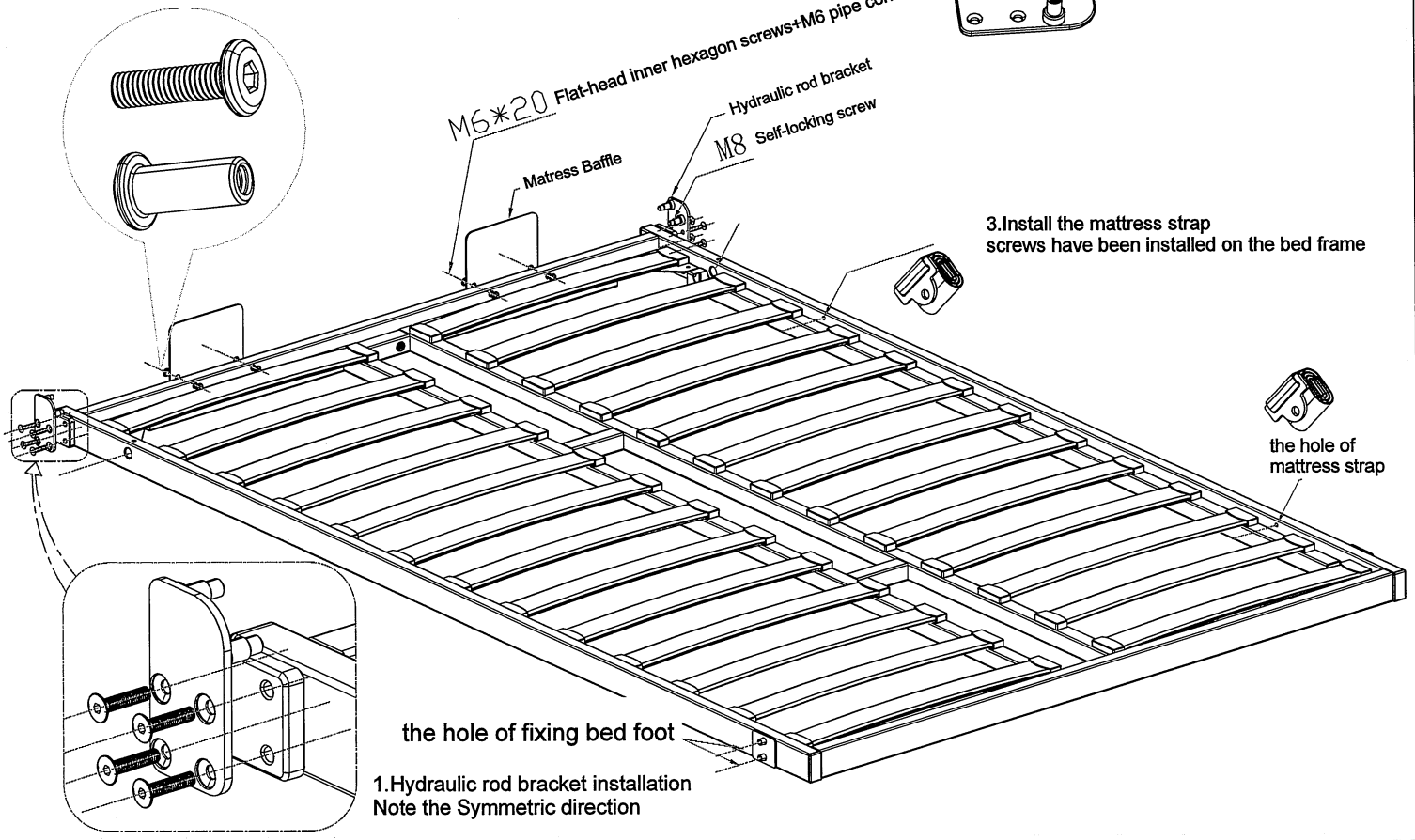


2. Install the mattress baffle, screws have been installed on the bed frame

16

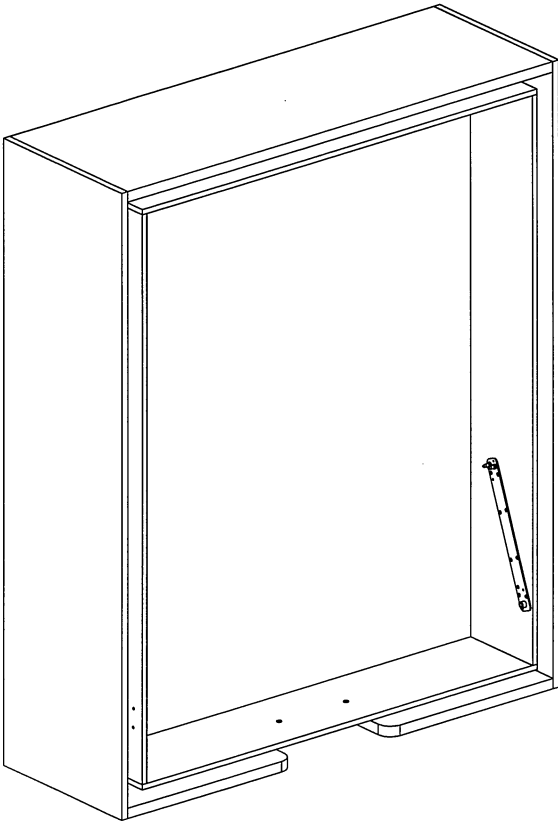
M6\*20 Flat-head inner hexagon screws+M6 pipe connector  
Hydraulic rod bracket  
M8 Self-locking screw

3. Install the mattress strap  
screws have been installed on the bed frame

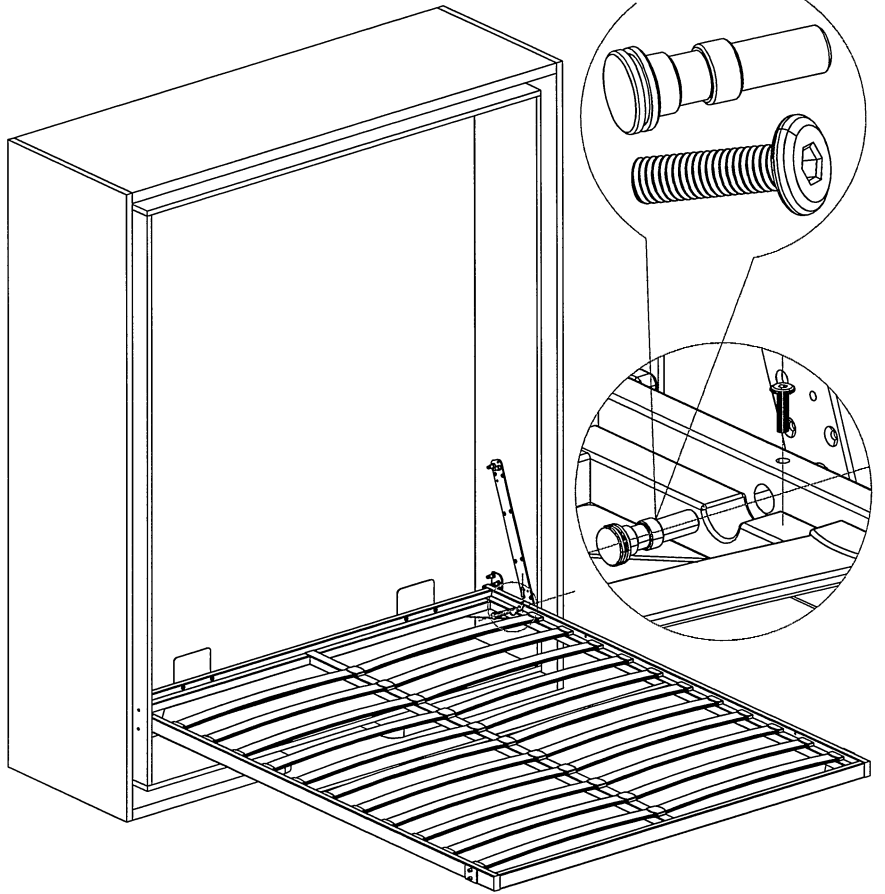


1. Hydraulic rod bracket installation  
Note the Symmetric direction

17

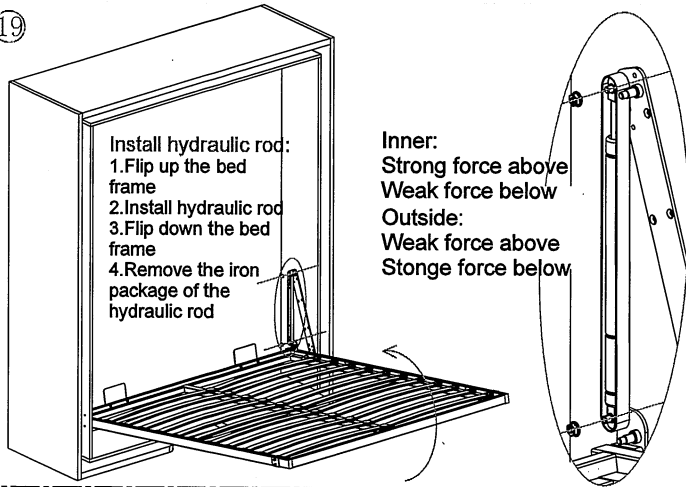


18

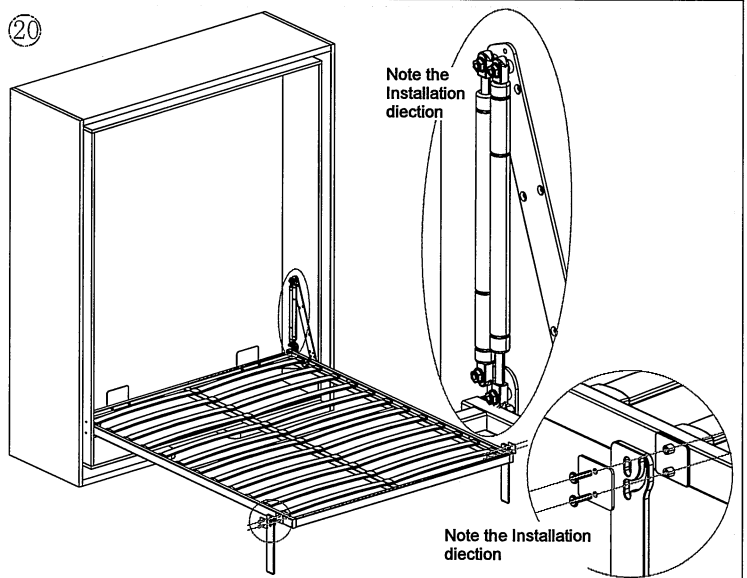




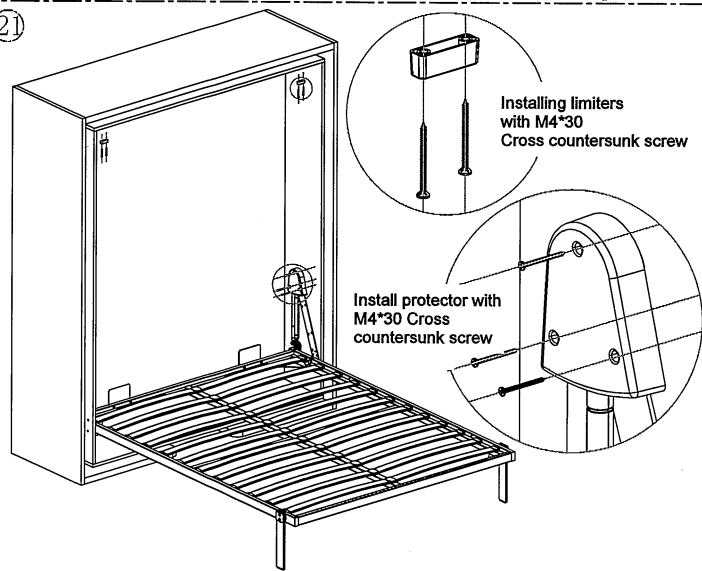
19



20



21



22

